

HMD

HMD 110 4G

User Guide

Table of Contents

1	About this user guide	4
2	Get started	5
	Keys and parts	5
	Set up and switch on your phone	6
	Charge your device	9
	Keypad	11
3	Calls, contacts, and messages	12
	Calls	12
	Contacts	12
	Send messages	13
4	Personalise your phone	14
	Change tones	14
	Change the look of your home screen	14
	Profiles	14
	Add shortcuts	14
	Battery life	15
	Accessibility	15
	Repairability	16
5	Camera	17
	Photos and videos	17
6	Bluetooth	18
	Bluetooth® connections	18
7	Clock, calendar, and calculator	19
	Set the time and date manually	19
	Alarm clock	19
	Calendar	19
	Calculator	19

8 Erase your phone's data	21
Restore factory settings	21
9 Product and safety information	22
For your safety	22
Emergency calls	24
Take care of your device	25
Recycle	26
Crossed-out wheelie bin symbol	26
Battery and charger information	26
Small children	28
Nickel	28
Medical devices	28
Implanted medical devices	28
Hearing	29
Protect your device from harmful content	29
Vehicles	29
Potentially explosive environments	29
Certification information	30
About Digital Rights Management	30
Copyrights and other notices	31

1 About this user guide

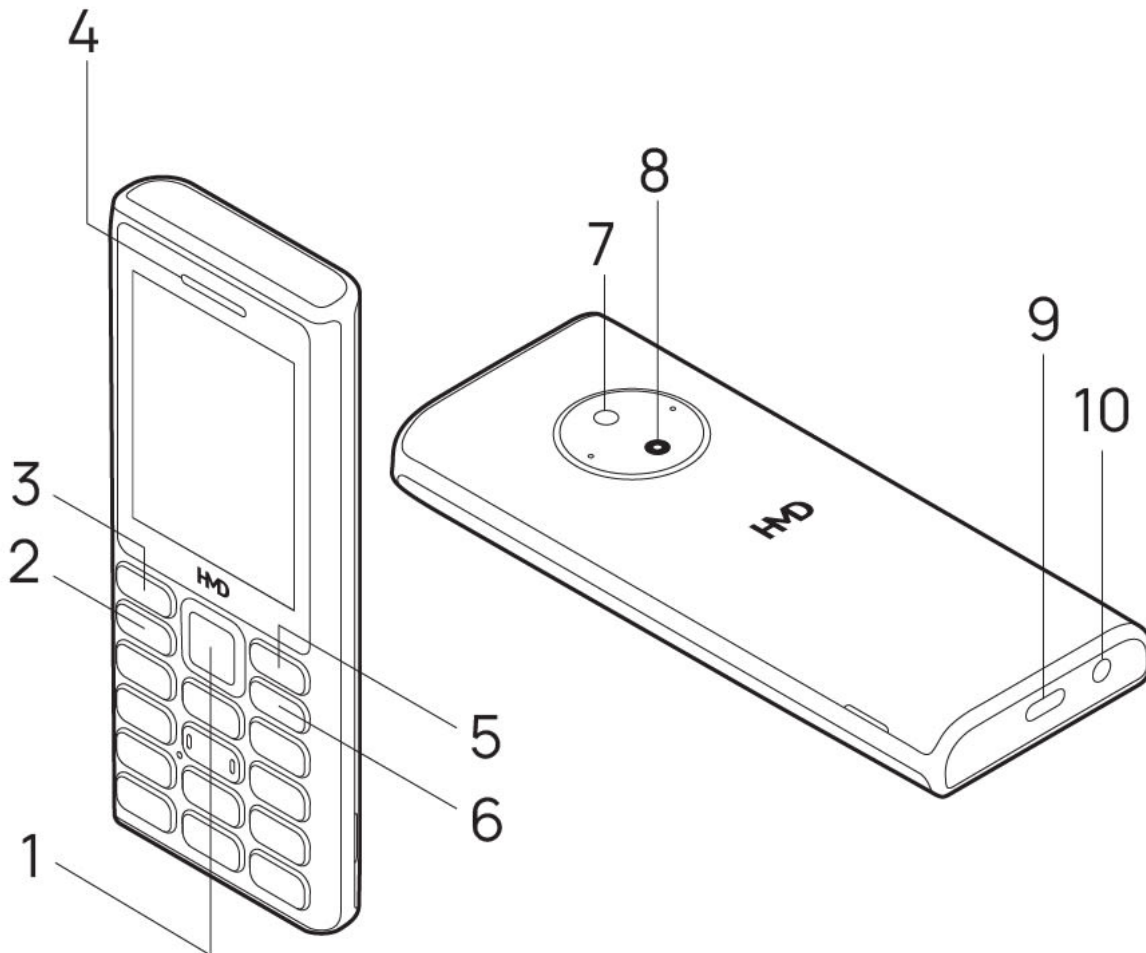


Important: For important information on the safe use of your device and battery, read "Product and safety information" before you take the device into use. To find out how to get started with your new device, read the user guide.

2 Get started

KEYS AND PARTS

Your phone



This user guide applies to the following models: TA-1660, TA-1662, TA-1675, and TA-1665.

- | | |
|-------------------------|-----------------------|
| 1. Scroll key | 6. Power/End key |
| 2. Call key | 7. Torch |
| 3. Left selection key | 8. Camera |
| 4. Earpiece/Loudspeaker | 9. USB connector |
| 5. Right selection key | 10. Headset connector |

Some of the accessories mentioned in this user guide, such as charger, headset or data cable, may be sold separately.

- ⓘ **Note:** You can set the phone to ask for a security code to protect your privacy and personal data. Select **Menu** > **⚙️** > **Security** > **Keyguard** > **Security code** . Make up a code with 4-8 digits, and select **OK** > **On** . Note, however, that you need to remember the code, as HMD Global is not able to open or bypass it.

Parts and connectors, magnetism

Do not connect to products that create an output signal, as this may damage the device. Do not connect any voltage source to the audio connector. If you connect an external device or headset, other than those approved for use with this device, to the audio connector, pay special attention to the volume levels.

Parts of the device are magnetic. Metallic materials may be attracted to the device. Do not place credit cards or other magnetic stripe cards near the device for extended periods of time, since the cards may be damaged.

SET UP AND SWITCH ON YOUR PHONE

- ⓘ **Note:** Pre-installed system software and apps use a significant part of memory space.

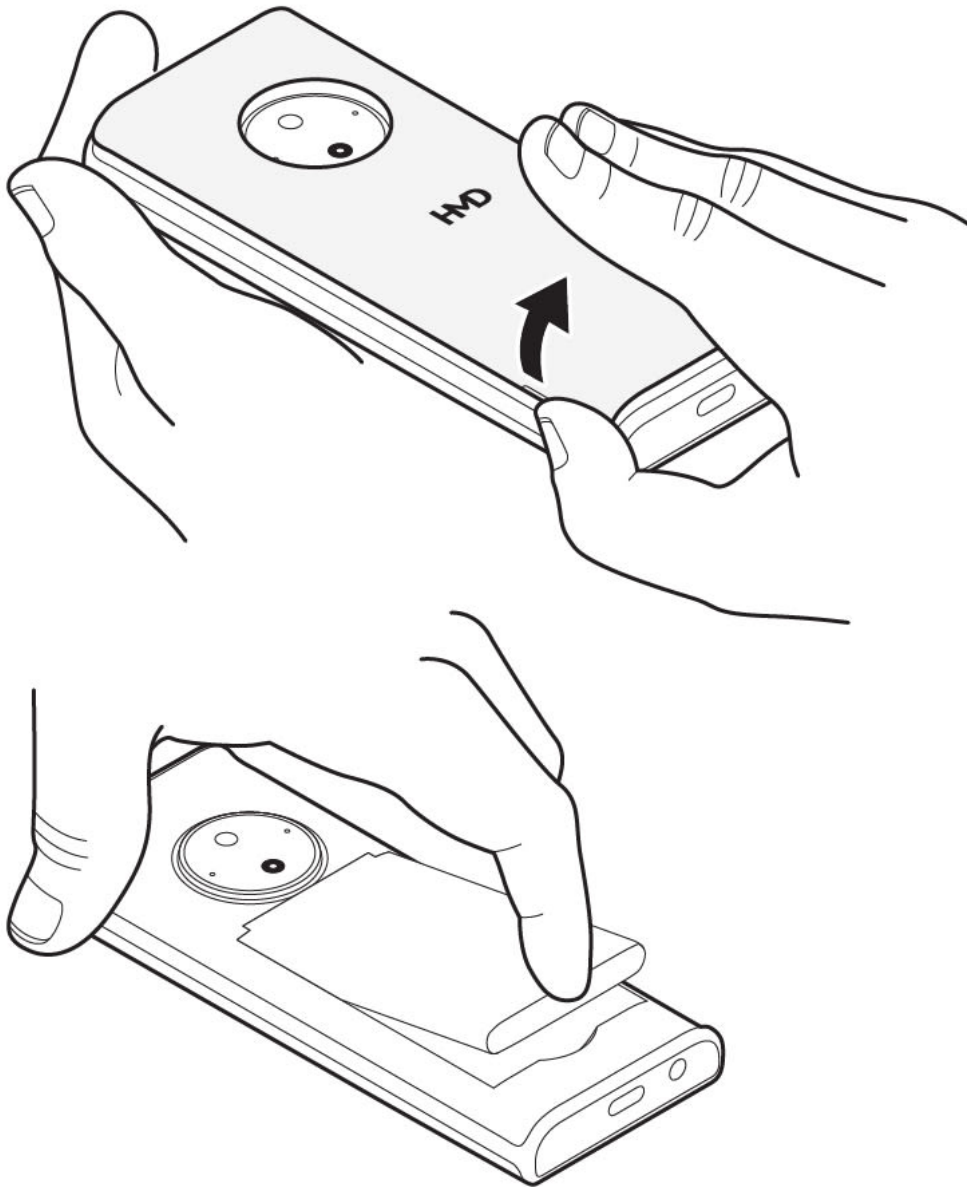
Nano-SIM



Important: This device is designed to be used with a nano-SIM card only. Use of incompatible SIM cards may damage the card or the device, and may corrupt data stored on the card.

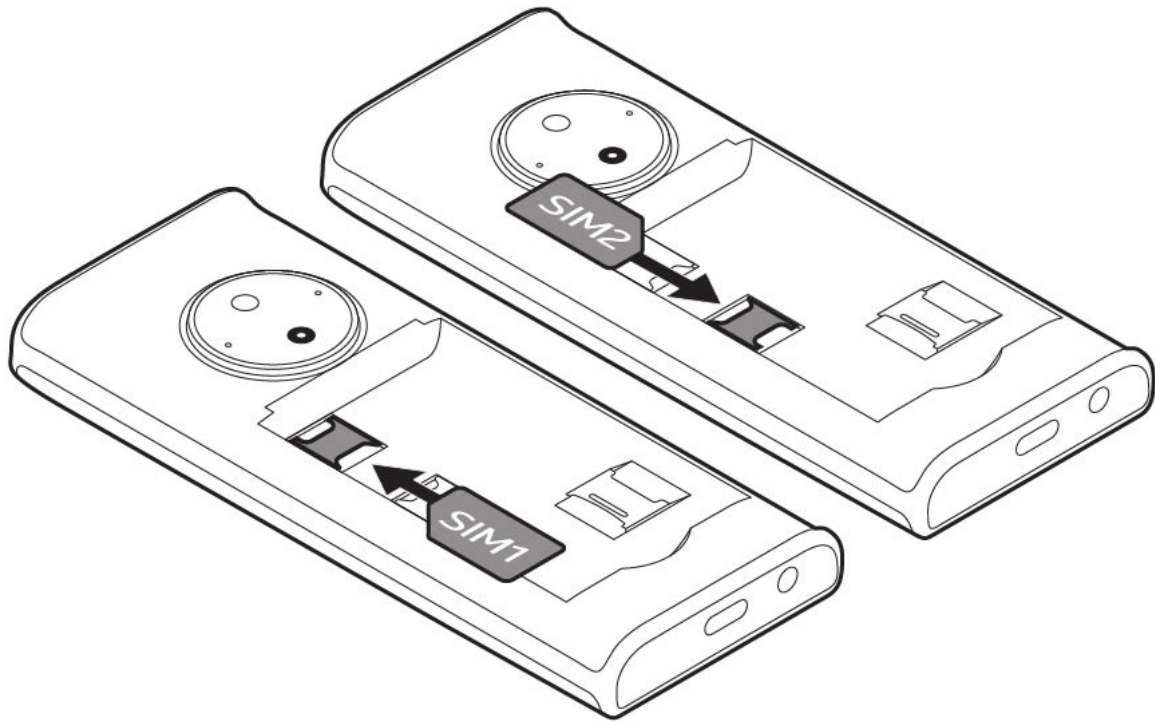
- ⓘ **Note:** Switch the device off and disconnect the charger and any other device before removing any covers. Avoid touching electronic components while changing any covers. Always store and use the device with any covers attached.

Open the back cover



1. Put your fingernail in the small slot on the side of the phone, lift and remove the cover.
2. If the battery is in the phone, take it out.

Insert the SIM card

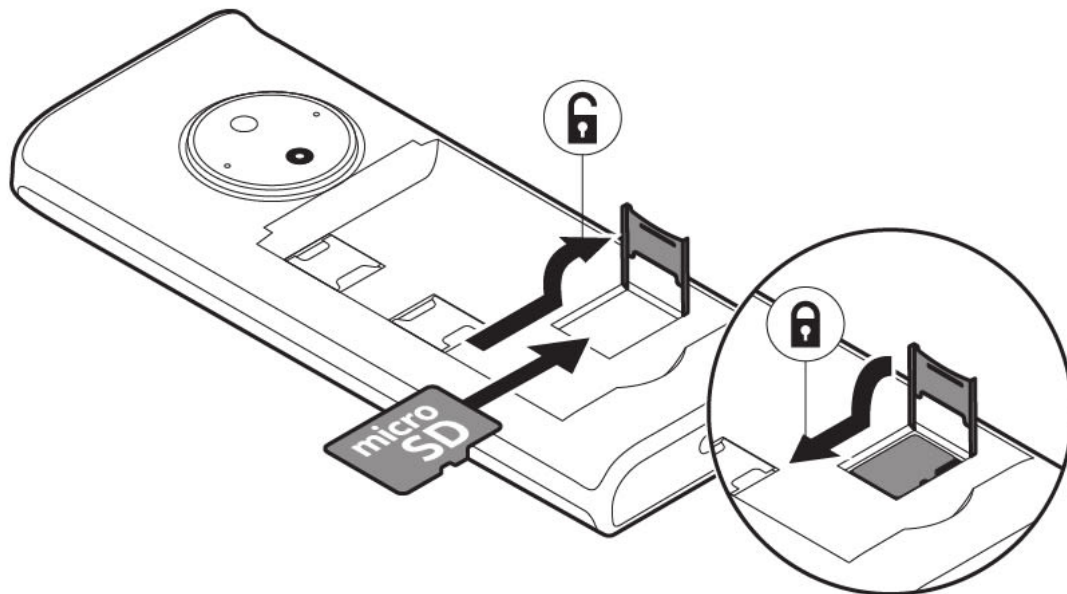


1. Put your fingernail in the small slot on the side of the phone, lift and remove the cover.
2. If the battery is in the phone, take it out.
3. Slide the SIM card in the SIM card slot with the contact area face down.
4. If you have a dual-SIM phone, slide the second SIM in the SIM2 slot. Both SIM cards are available at the same time when the device is not being used, but while one SIM card is active, for example, when making a call, the other may be unavailable.
5. Put back the battery.
6. Put back the back cover.



Tip: To find out if your phone can use 2 SIM cards, see the label on the sales box. If there are 2 IMEI codes on the label, you have a dual-SIM phone.

Insert the memory card



1. Slide the memory card in the memory card slot.
2. Put back the battery.
3. Put back the back cover.

Use only compatible memory cards approved for use with this device. Incompatible cards may damage the card and the device and corrupt data stored on the card.

! **Important:** Do not remove the memory card when an app is using it. Doing so may damage the memory card and the device and corrupt data stored on the card.

👉 **Tip:** Use a fast, up to 32 GB microSD memory card from a well-known manufacturer.

! **Note:** Pre-installed system software and apps use a significant part of memory space.

Switch on your phone

Press and hold .

CHARGE YOUR DEVICE

Your battery has been partially charged at the factory, but you may need to recharge it before you can use your device.

Charge the battery

1. Plug the charger into a wall outlet.
2. Connect the charger to the device.

Do not overcharge the battery: once charging of your device is complete, first unplug the charger from the device and then from the electrical outlet.

Do not overuse the battery: Avoid letting the battery charge drop below 20% or using it until it runs out of power and shuts down.

If the battery is completely discharged, it may take several minutes before the charging indicator is displayed.



Tip: You can use USB charging when a wall outlet is not available. The efficiency of USB charging power varies significantly, and it may take a long time for charging to start and the device to start functioning.

Charger model

For EU countries: Use your device only with an original BL-25AA rechargeable battery. Charge your device using the HAC-18 charger. Charger plug type may vary. HMD Global may make additional battery or charger models available for this device.

For environmental reasons this package does not include a charger. This device can be powered with most USB power adapters and a cable with USB Type-C plug. Use only chargers and cables that are compliant with applicable country regulations, and international and regional safety standards to avoid any risk of property loss or personal injury. The power supplied by the charger should be between a minimum of 2 Watts required by the radio equipment, and a maximum of 5 Watts to achieve optimal charging speed.

Your device supports charging via USB-C cable. You can also charge your device using a USB cable connected to a computer, but charging may take longer.

For other countries: Charge your device with the HAD-005 charger. HMD Global may make additional battery or charger models available for this device. Charging time can vary depending on device capability. Some of the accessories mentioned in this user guide, such as charger, headset, or data cable, may be sold separately.

When charger is not included in the sales box, charge your device using the data cable (included) and a USB power adaptor (may be sold separately). You can charge your device with third-party cables and power adaptors that are compliant with USB 2.0 or later and with applicable country regulations and international and regional safety standards. Other adaptors may not meet applicable safety standards, and charging with such adaptors could pose a risk of property loss or personal injury. It is recommended to use a power adaptor with an input rating of 100-240V~50/60Hz 0.1A and output of 5V/1A to optimise charging of your device.

KEYPAD

Use the phone keys

- To see your phone's apps and features, select **Menu** on the home screen.
- To go to an app or feature, press the scroll key up, down, left or right. To open an app or feature, press the scroll key.
- To go back to the home screen, press the end key.
- To change the volume of your phone during a call or when listening to the radio, scroll up or down.

Lock the keypad

To lock the keys, select **Lock keypad**. To unlock the keys, select **Unlock**, and press *.

Type with the keypad

- Press a key repeatedly until the letter is shown.
- To enter a space press **0**.
- To type in a special character or punctuation mark, press the asterisk key, or if you are using predictive text, press and hold the **#** key.
- To switch between character cases, press **#** repeatedly.
- To type a number, press and hold a number key.

3 Calls, contacts, and messages

CALLS

Make a call

Learn how to make a call with your new phone.


1. Type in the phone number. To type in the + character, used for international calls, press * twice.
2. Press the call key. If asked, select which SIM to use.
3. To end the call, press the end key.

Answer a call



Press .

CONTACTS

Add a contact

1. Select **Menu** > **Contacts** >  > **Add new contact**.
2. Select where to save the contact.
3. Enter the name and the number.
4. Select  > **Save contact**.

Save a contact from the call logs

1. Select **Menu** > **Call logs**, and select the call type.
2. Scroll to the number you want to save and select  > **Add to contacts** > **New contact**.
3. Select where to save the contact.
4. Add the contact details and select  > **Save contact**.


Call a contact

You can call a contact directly from the contact list.

Select **Menu** > **Contacts**, scroll to the contact you want to call, and press the call key.

SEND MESSAGES

Write and send messages

1. Select **Menu** > **Messages** > **+ New message** .
2. Type in a phone number, or press  and select a recipient from your contacts list.
3. Write your message.
4. To insert symbols to the message, press *.
5. Choose **Send** . If asked, select which SIM to use.

You can send text messages that are longer than the character limit for a single message. Longer messages are sent as two or more messages. Your service provider may charge accordingly. Characters with accents, other marks, or some language options, take more space, and limit the number of characters that can be sent in a single message.

4 Personalise your phone

CHANGE TONES

Set new tones

1. Select **Menu** > **Settings** > **Profiles**, scroll to a profile and select **≡** > **Settings** > **Ring settings**.
2. Select which tone you want to change.
3. Scroll to the tone you want and select **Select**.

CHANGE THE LOOK OF YOUR HOME SCREEN

Choose a new wallpaper

You can change the background of your home screen.

1. Select **Menu** > **Settings** > **Personalisation** > **Lock screen background** > **Wallpapers**.
2. Select the wallpaper you want.

PROFILES

Set a profile

There are several profiles that you can use in different situations. There is, for example, a silent profile for when you cannot have sounds on and an outdoor profile with loud tones.

1. Select **Menu** > **Settings** > **Profiles**.
2. To adjust a profile, scroll to it, and select **≡** > **Settings**. Change the settings you want.
3. To set on a profile, scroll to it, and select **Select**.

ADD SHORTCUTS

You can add shortcuts to different apps and settings on your home screen.

Edit Go to settings

On the bottom left of your home screen is **Go to**, which contains shortcuts to various apps and settings. Select the shortcuts that are the handiest for you.

1. Select **GoTo Option** > **Select options**.
2. Scroll to each shortcut you want to have on the list and select **Mark** > **✓**. Select **OK** to save the changes.

You can also reorganise your list.

1. Select **Organise**.
2. Scroll to the item you want to move, select **Move** and where you want to move it.
3. Select **←** > **OK** to save the changes.

BATTERY LIFE

Save power

If applicable:

- Use network connections selectively for power saving: Switch Bluetooth on only when needed.
- Use Wi-Fi to connect to the internet instead of a mobile data connection.
- If you do not wish to make or receive calls, switch on airplane mode.

Airplane mode disconnects the mobile network and disables all wireless features of your device.

ACCESSIBILITY

Make the text bigger

You can adjust the text size to be smaller or larger.

Depending on your device model, go to the system or display settings to adjust.

Know more about accessibility features

To know more about this device's accessibility features, please visit the Global Accessibility Reporting Initiative: <https://www.gari.info/findphones.cfm>

Note for audio online guide

1. To access the online user guide, please visit www.hmd.com/support. Find your product model and access the relevant online user guide.
2. Enable the text-to-speech feature on your browser or device to have text on screen read aloud.

How to activate the text-to-speech feature

Windows PCs (Windows 10, 11 or later):

- Go to Settings > Ease of Access (Windows 10) or Accessibility (Windows 11).
- Choose Narrator and turn it on to activate the built-in screen reader.

On earlier Windows versions:

- Install a browser extension like Speechify to read web content aloud.

Mac®/macOS®:

- In Safari, go to Edit > Speech > Start Speaking to have your Mac read the text aloud.
- To stop, go to Edit > Speech > Stop Speaking.

For detailed instructions on enabling text-to-speech on your device or browser, please consult your device's user guide.

REPAIRABILITY

Self-repair options

Self-repair support is available for certain devices in select countries. Details are available at www.hmd.com/self-repair.

5 Camera


PHOTOS AND VIDEOS

Take a photo



1. Select **Menu** > **Camera**.
2. To zoom in or out, scroll up or down.
3. To take a photo, press the scroll key.

To see the photo you just took, select **≡** > **Gallery**.

To view all photos, on the home screen, select **Menu** > **Gallery**.

-  Keep a safe distance when using the flash. Do not use the flash on people or animals at close range. Do not cover the flash while taking a photo.

Record a video

1. To switch the video camera on, select **Menu** > **Camera** and scroll to .
2. To start recording, press the scroll key.
3. To stop recording, select .

To see the video you just recorded, on the home screen, select **Menu** > **Videos**.

6 Bluetooth

BLUETOOTH® CONNECTIONS

Switch on Bluetooth

1. Select **Menu** > **Settings** > **Connectivity** > **Bluetooth**.
2. Switch **Bluetooth** on.
3. Select **Devices found** > **Add new device**.
4. Scroll to the found device and select **Pair**. If asked, confirm the passcode.

7 Clock, calendar, and calculator

SET THE TIME AND DATE MANUALLY

Change the time and date

1. Select **Menu** > **Settings** > **Time & language** > **Date and time**.
2. Select **Auto-update** > **Change**.
3. Select **Time zone** and enter the time zone.
4. Select **Time** and enter the time.
5. Select **Date** and enter the date.
6. Select **Save**.

ALARM CLOCK

Set an alarm

1. Select **Menu** > **Alarm**.
2. Select **+New alarm** and enter the alarm time and other details.

If you want the alarm to repeat on certain days, select the alarm, then select **≡** > **Edit** > **Repeat**, select each day you want the alarm to sound on. Then select **←** and select **Save**.

CALENDAR

Add a calendar event


1. Select **Menu** > **Extras** > **Calendar**.
2. Scroll to a date and select **≡** > **Add new event**.
3. Enter the event name and other details, and select **Save**.

CALCULATOR

Learn how to add, subtract, multiply, and divide with your phone's calculator.

Use the calculator

1. Select **Menu** > **Extras** > **Calculator** .
2. Enter the first factor of your calculation, use the scroll key to select the operation, and enter the second factor.
3. Press the scroll key to get the result of the calculation.

Select  to empty the number fields.

8 Erase your phone's data

RESTORE FACTORY SETTINGS

If you buy a new phone, or want to dispose of or recycle your old phone for any other reason, here's how you can remove your personal info and content.

Reset your phone

You can restore the original factory settings, but be careful, since this reset removes all data you have saved in the phone's memory and all of your personalisation.

If you are disposing your phone, note that you are responsible of removing all private content.

To reset your phone to its original settings and to remove all your data, on the home screen, type in `*#7370#`. If asked, enter your security code.

9 Product and safety information

FOR YOUR SAFETY

Read these simple guidelines. Not following them may be dangerous or against local laws and regulations. For further information, read the complete user guide.

SWITCH OFF IN RESTRICTED AREAS



Switch the device off when mobile device use is not allowed or when it may cause interference or danger, for example, in aircraft, in hospitals or near medical equipment, fuel, chemicals or blasting areas. Obey all instructions in restricted areas.

ROAD SAFETY COMES FIRST



Obey all local laws. Always keep your hands free to operate the vehicle while driving. Your first consideration while driving should be road safety.

INTERFERENCE



All wireless devices may be susceptible to interference, which could affect performance.

AUTHORISED SERVICE



Only authorised personnel may install or repair this product unless self-repair support is available. See more info at www.hmd.com/self-repair.

BATTERIES, CHARGERS, AND OTHER ACCESSORIES



Use only batteries, chargers, and other accessories approved by HMD Global Oy for use with this device. Do not connect incompatible products.

KEEP YOUR DEVICE DRY



If your device is water-resistant, see its IP rating in the device's technical specifications for more detailed guidance.

GLASS PARTS



The device and/or its screen is made of glass. This glass can break if the device is dropped on a hard surface or receives a substantial impact. Stop using the device until the glass is replaced.

PROTECT YOUR HEARING



To prevent possible hearing damage, do not listen at high volume levels for long periods. Exercise caution when holding your device near your ear while the loudspeaker is in use.

EMERGENCY CALLS

! **Important:** Connections in all conditions cannot be guaranteed. Never rely solely on any wireless phone for essential communications like medical emergencies.

Before making the call:

- Switch the phone on.
 - If the phone screen and keys are locked, unlock them.
 - Move to a place with adequate signal strength.
1. Press the end key repeatedly, until the home screen is shown.
 2. Type in the official emergency number for your present location. Emergency call numbers vary by location.

3. Press the call key.
4. Give the necessary information as accurately as possible. Do not end the call until given permission to do so.

You may also need to do the following:

- Put a SIM card in the phone.
- If your phone asks for a PIN code, type in the official emergency number for your present location and press the call key.
- Switch the call restrictions off in your phone, such as call barring, fixed dialling, or closed user group.

TAKE CARE OF YOUR DEVICE

Handle your device, battery, charger, and accessories with care. The following suggestions help you keep your device operational.

- Keep the device dry. Precipitation, humidity, and all types of liquids or moisture can contain minerals that corrode electronic circuits.
- Do not use or store the device in dusty or dirty areas.
- Do not store the device in high temperatures. High temperatures may damage the device or battery.
- Do not store the device in cold temperatures. When the device warms to its normal temperature, moisture can form inside the device and damage it.
- Do not open the device other than as instructed in the user guide.
- Unauthorised modifications may damage the device and violate regulations governing radio devices.
- Do not drop, knock, or shake the device or the battery. Rough handling can break it.
- Only use a soft, clean, dry cloth to clean the surface of the device.
- Do not paint the device. Paint can prevent proper operation.
- Keep the device away from magnets or magnetic fields.
- To keep your important data safe, store it in at least two separate places, such as your device, memory card, or computer, or write down important information.

During extended operation, the device may feel warm. In most cases, this is normal. To avoid getting too warm, the device may automatically slow down, close apps, switch off charging, and if necessary, switch itself off. If the device is not working properly, take it to the nearest authorised service facility.

RECYCLE



Always return your used electronic products, batteries, and packaging materials to dedicated collection points. This way you help prevent uncontrolled waste disposal and promote the recycling of materials. Electrical and electronic products contain a lot of valuable materials, including metals (such as copper, aluminium, steel, and magnesium) and precious metals (such as gold, silver, and palladium). All materials in the device can be recovered as materials and energy.

CROSSED-OUT WHEELIE BIN SYMBOL

Crossed-out wheelie bin symbol



The crossed-out wheelie-bin symbol on your product, battery, literature or packaging reminds you that all electrical and electronic products and batteries must be taken to separate collection at the end of their working life. Remember to remove personal data from the device first. Do not dispose of these products as unsorted municipal waste: take them for recycling. For info on your nearest recycling point, check with your local waste authority, or read about HMD's take-back program and its availability in your country at www.hmd.com/support/topics/recycle.

BATTERY AND CHARGER INFORMATION

Battery and charger information

To check if your device has a removable, non-removable or user-replaceable battery, see the printed guide.

Devices with a removable battery Only use your device with its original rechargeable battery. The battery can be charged and discharged hundreds of times, but it will eventually wear out. When the talk and standby times are noticeably shorter than normal, replace the battery.

Devices with a non-removable battery Do not attempt to remove the battery, as you may damage the device. The battery can be charged and discharged hundreds of times, but it will eventually wear out. When the talk and standby times are noticeably shorter than normal, take the device to the nearest authorised service facility to have the battery replaced.

Devices with a user-replaceable battery To replace the battery, follow HMD's self-repair instructions or take the device to the nearest authorised service facility. For more information about self-repair, visit www.hmd.com/self-repair.

Charge your device with a compatible charger. Charger plug type may vary. Charging time can vary depending on device capability.

Battery and charger safety information

Once your device is fully charged, unplug the charger from the device and electrical outlet. Please note that continuous charging should not exceed 12 hours. If left unused, a fully charged battery will lose its charge over time.

Extreme temperatures reduce the capacity and lifetime of the battery. Always keep the battery between 15°C and 25°C (59°F and 77°F) for optimal performance. A device with a hot or cold battery may not work temporarily. Note that the battery may drain quickly in cold temperatures and lose enough power to switch off the device within minutes. When you are outdoors in cold temperatures, keep your device warm.

Obey local regulations. Recycle when possible. Do not dispose of this product as household waste.

Do not expose the battery to extremely low air pressure or extremely high temperature, such as disposing of it in a fire, as that may cause the battery to explode or leak flammable liquid or gas.

Do not dismantle, cut, crush, bend, puncture, or otherwise damage the battery in any way. If a battery leaks, do not let liquid touch skin or eyes. If this happens, immediately flush the affected areas with water or seek medical help. Do not modify, attempt to insert foreign objects into the battery, or immerse or expose it to water or other liquids. Batteries may explode if damaged.

Use the battery and charger for their intended purposes only. Improper use of, or use of unapproved or incompatible, batteries or chargers may present a risk of fire, explosion, or other hazards, and may invalidate any approval or warranty. If you believe the battery or charger is damaged, take it to a service centre or your local phone shop before continuing to use it. Never use a damaged battery or charger. Only use the charger indoors. Do not charge your device during a lightning storm.

To unplug a charger or an accessory, hold and pull the plug, not the cord.

Additionally, the following applies if your device has a removable or user-replaceable battery:

- Always switch the device off and unplug the charger before removing any covers or the battery.
- Accidental short-circuiting can happen when a metallic object touches the metal strips on the battery. This may damage the battery or the other object.

SMALL CHILDREN

Your device and its accessories are not toys. They may contain small parts. Keep them out of the reach of small children.

NICKEL

The surface of this device is nickel-free.

MEDICAL DEVICES

Operation of radio transmitting equipment, including wireless phones, may interfere with the function of inadequately shielded medical devices. Consult a physician or the medical device's manufacturer to determine if it is adequately shielded from external radio energy.

IMPLANTED MEDICAL DEVICES

To avoid potential interference, manufacturers of implanted medical devices (such as cardiac pacemakers, insulin pumps and neurostimulators) recommend a minimum separation of 15.3 centimetres (6 inches) between a wireless device and the medical device. Persons who have such devices should:

- Always keep the wireless device more than 15.3 centimeters (6 inches) from the medical device.
- Not carry the wireless device in a breast pocket.
- Hold the wireless device to the ear opposite the medical device.
- Switch the wireless device off if there is any reason to suspect that interference is taking place.
- Follow the manufacturer directions for the implanted medical device.

If you have any questions about using your wireless device with an implanted medical device, consult your health care provider.

HEARING

- ⓘ **Warning:** When you use the headset, your ability to hear outside sounds may be affected. Do not use the headset where it can endanger your safety.

Some wireless devices may interfere with some hearing aids.

PROTECT YOUR DEVICE FROM HARMFUL CONTENT

Your device may be exposed to viruses and other harmful content. Take the following precautions:

- Be cautious when opening messages. They may contain malicious software or otherwise be harmful to your device or computer.
- Be cautious when accepting connectivity requests or browsing the internet. Do not accept Bluetooth® connections from sources you do not trust.
- Install antivirus and other security software on any connected computer.
- If you access preinstalled bookmarks and links to third party internet sites, take the appropriate precautions. HMD Global does not endorse or assume liability for such sites.

VEHICLES

Radio signals may affect improperly installed or inadequately shielded electronic systems in vehicles. For more information, check with the manufacturer of your vehicle or its equipment. Only authorised personnel should install the device in a vehicle. Faulty installation may be dangerous and invalidate your warranty. Check regularly that all wireless device equipment in your vehicle is mounted and operating properly. Do not store or carry flammable or explosive materials in the same compartment as the device, its parts, or accessories. Do not place your device or accessories in the air bag deployment area.

POTENTIALLY EXPLOSIVE ENVIRONMENTS

Switch your device off in potentially explosive environments, such as near petrol pumps. Sparks may cause an explosion or fire resulting in injury or death. Note restrictions in areas with fuel, chemical plants, or where blasting operations are in progress. Areas with a potentially explosive environment may not be clearly marked. These are usually areas where you are advised to switch your engine off, below deck on boats, chemical transfer or storage facilities, and where the air contains chemicals or particles. Check with the manufacturers of vehicles using liquefied petroleum gas (such as propane or butane) if this device can be safely used in their vicinity.

CERTIFICATION INFORMATION

This mobile device meets guidelines for exposure to radio waves.

Your mobile device is a radio transmitter and receiver. It is designed not to exceed the limits for exposure to radio waves (radio frequency electromagnetic fields), recommended by international guidelines from the independent scientific organisation ICNIRP. These guidelines incorporate substantial safety margins that are intended to assure the protection of all persons regardless of age and health. The exposure guidelines are based on the Specific Absorption Rate (SAR), which is an expression of the amount of radio frequency (RF) power deposited in the head or body when the device is transmitting. The ICNIRP SAR limit for mobile devices is 2.0 W/kg averaged over 10 grams of tissue.

SAR tests are carried out with the device in standard operating positions, transmitting at its highest certified power level, in all its frequency bands.

This device meets RF exposure guidelines when used against the head or when positioned at least 5/8 inches (1.5 centimetres) away from the body. When the device is kept in a carry case, belt clip, or other form of device holder during use, the holder should not contain metal and should provide at least the above-stated separation distance from the body.

To send data or messages, a good connection to the network is needed. Sending may be delayed until such a connection is available. Follow the separation distance instructions until sending is finished.

During general use, the SAR values are usually well below the values stated above. This is because, for purposes of system efficiency and to minimise interference on the network, the operating power of your mobile device is automatically decreased when full power is not needed for the call. The lower the power output, the lower the SAR value.

Device models may have different versions and more than one value. Component and design changes may occur over time and some changes could affect SAR values.

For more info, go to www.sar-tick.com. Note that mobile devices may be transmitting even if you are not making a voice call.

The World Health Organisation (WHO) has stated that current scientific information does not indicate the need for any special precautions when using mobile devices. If you are interested in reducing your exposure, they recommend you limit your usage or use a hands-free kit to keep the device away from your head and body. For more information and explanations and discussions on RF exposure, go to the WHO website at www.who.int/health-topics/electromagnetic-fields#tab=tab_1.

Please refer to www.hmd.com/sar for the maximum SAR value of the device.

ABOUT DIGITAL RIGHTS MANAGEMENT

When using this device, obey all laws and respect the local customs, privacy, and legitimate rights of others, including copyrights. Copyright protection may prevent you from copying, modifying, or transferring photos, music, and other content.

COPYRIGHTS AND OTHER NOTICES

Copyrights

The availability of products, features, apps and services may vary by region. For more information, contact your dealer or your service provider. This device may contain commodities, technology or software subject to export laws and regulations from the US and other countries. Diversion contrary to law is prohibited.

The contents of this document are provided "as is". Except as required by applicable law, no warranties of any kind, either express or implied, including, but not limited to, the implied warranties of merchantability and fitness for a particular purpose, are made in relation to the accuracy, reliability or contents of this document. HMD Global reserves the right to revise this document or withdraw it at any time without prior notice.

To the maximum extent permitted by applicable law, under no circumstances shall HMD Global or any of its licensors be responsible for any loss of data or income or any special, incidental, consequential or indirect damages howsoever caused.

Reproduction, transfer or distribution of part or all of the contents in this document in any form without the prior written permission of HMD Global is prohibited. HMD Global operates a policy of continuous development. HMD Global reserves the right to make changes and improvements to any of the products described in this document without prior notice.

HMD Global does not make any representations, provide a warranty, or take any responsibility for the functionality, content, or end-user support of third-party apps provided with your device. By using an app, you acknowledge that it is provided as is.

Downloading maps, games, music, and videos, and uploading images and videos may involve transferring large amounts of data. Your service provider may levy charges for data transmission. The availability of particular products, services and features may vary by region. Please check with your local dealer for further details and availability of language options.

Certain features, functionality, and product specifications may be network dependent and subject to additional terms, conditions, and charges.

All specifications, features, and other product information provided are subject to change without notice.

HMD Global Privacy Policy, available at <http://www.hmd.com/privacy>, applies to your use of this device.

TM and © 2025 HMD Global. All rights reserved.

The Bluetooth word mark and logos are owned by the Bluetooth SIG, Inc. and any use of such marks by HMD Global is under license.

Microsoft, Windows are trademarks of the Microsoft group of companies.

Mac® and macOS® are trademarks of Apple Inc., registered in the U.S. and other countries and regions.

This product includes open source software. For applicable copyright and other notices, permissions, and acknowledgements, select *#6774# on the home screen.